

VAC2 DSM C MT

VALUE Tap Range
Club Deck Sink Mixer
Chrome With Metal Heads



Features:

- Metal back nuts for added durability
- Supplied with metal handles
- Supplied with metal fixing nut
- Chrome plated to BS EN 248

Product Certifications:



WRAS Certificate No: 2105905
WRAS Expiry Date: 31/05/2026



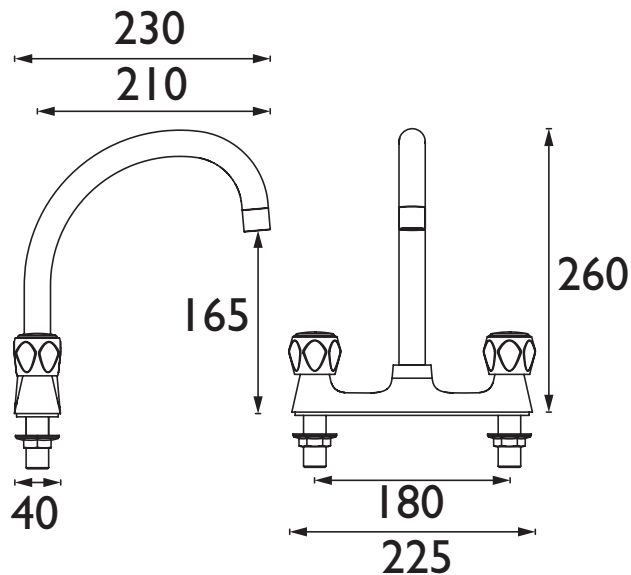
For more products, visit our website:
<http://www.bristan.com>



Specification

Product Type:	Kitchen Taps
Main Construction Material:	Brass
Mount Type:	Deck
Handle Type:	Club
Connection Inlet:	1/2" BSP
Connection Outlet:	Flow Straightener
Number of Tap Holes:	2
Valve/Cartridge Type:	Standard 1/2" Valve
Plumbing System Requirements:	Suitable for all plumbing systems
Minimum Dynamic Pressure:	0.2 bar
Maximum Dynamic Pressure:	5.0 bar
Maximum Hot Water Temperature: °C	65
Maximum Static Pressure: (bar)	10
Flow Type:	Single
Isolation Included:	No
Check Valve Supplied:	No

Dimensions (measurements in mm)



Flow Rates (l/min)

System Pressure (bar)	0.2	0.5	1	2	3	5
Hot	13.6	22.2	31.8	45.9	56.1	74.0
Cold	13.3	22.8	32.9	47.2	57.9	72.9
Mixed	17.2	28.8	41.8	59.7	76.1	95.4

TECHNICAL
DATA
SHEET



BRISTAN

D2